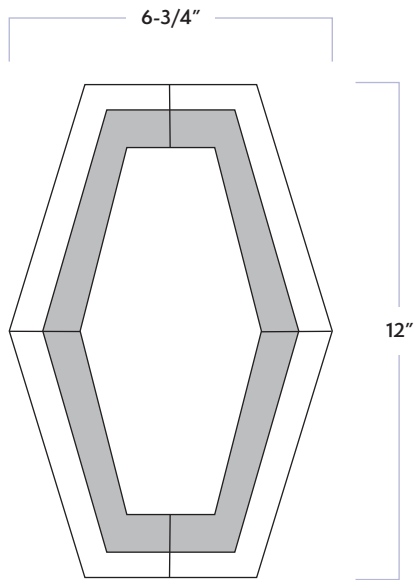


# Studio Moderne™ Stone Claremont

DATE REVISED: MAY 2023

# WALKER ZANGER™



MATERIAL	Natural Stone
FINISH	Honed
THICKNESS	3/8"
SHEET SIZE	12" x 6-3/4"
COVERAGE SQFT/PIECE	0.5651 SqFt
MOUNTING	Mesh

#### AVAILABLE COLORS



Thassos/Blue Celeste



Thassos/Steel Grey



Calacatta/Café Bruno

#### RECOMMENDED USAGES



Commercial  
Exterior Wall\*



Commercial  
Interior Wall



Commercial  
Exterior Floor\*



Commercial  
Interior Floor



Residential  
Exterior Wall\*



Residential  
Interior Wall



Residential  
Exterior Floor\*



Residential  
Interior Floor



Shower Wall\*



Shower Floor\*

#### MATERIAL DATA



V3 Color Variation

#### MAINTENANCE



Sealing is required prior to grouting



Grout with white thin-set  
(BLUE CELESTE AND CAFÉ BRUNO ONLY)



Clean with a damp cloth and  
a gentle, non-acidic soap

#### ADDITIONAL NOTES

Exterior wall, exterior floor, shower wall, and shower floor applications are NOT recommended for Claremont Thassos/Blue Celeste. For installation on shower floors, please refer to TCNA guidelines and consult with your installer for proper waterproofing and sealing requirements. All Claremont tiles feature natural stone products. We recommend sealing all natural stone products with a penetrating sealer and sealing all porous non-polished stone (limestone, tumbled marble, etc.) prior to grouting. This prevents grout from staining or affecting the color of the stone. Stone is a natural product, and care should be taken to protect it from harsh abrasive cleaners and abrasive cleaning tools. White thin-set or mortar is required for the following: light limestone, tumbled stones, "antiquated stones" and light-colored marbles. It is possible that dry seams, pits, fossils, and glass veins are often filled at the factory. The fill may perhaps leak through the voids. In this case, refilling the voids may be a necessary maintenance procedure. For further questions/information about additional usages, please consult with your installer.

**Studio Moderne™ Stone  
Claremont**

DATE REVISED: MAY 2023

